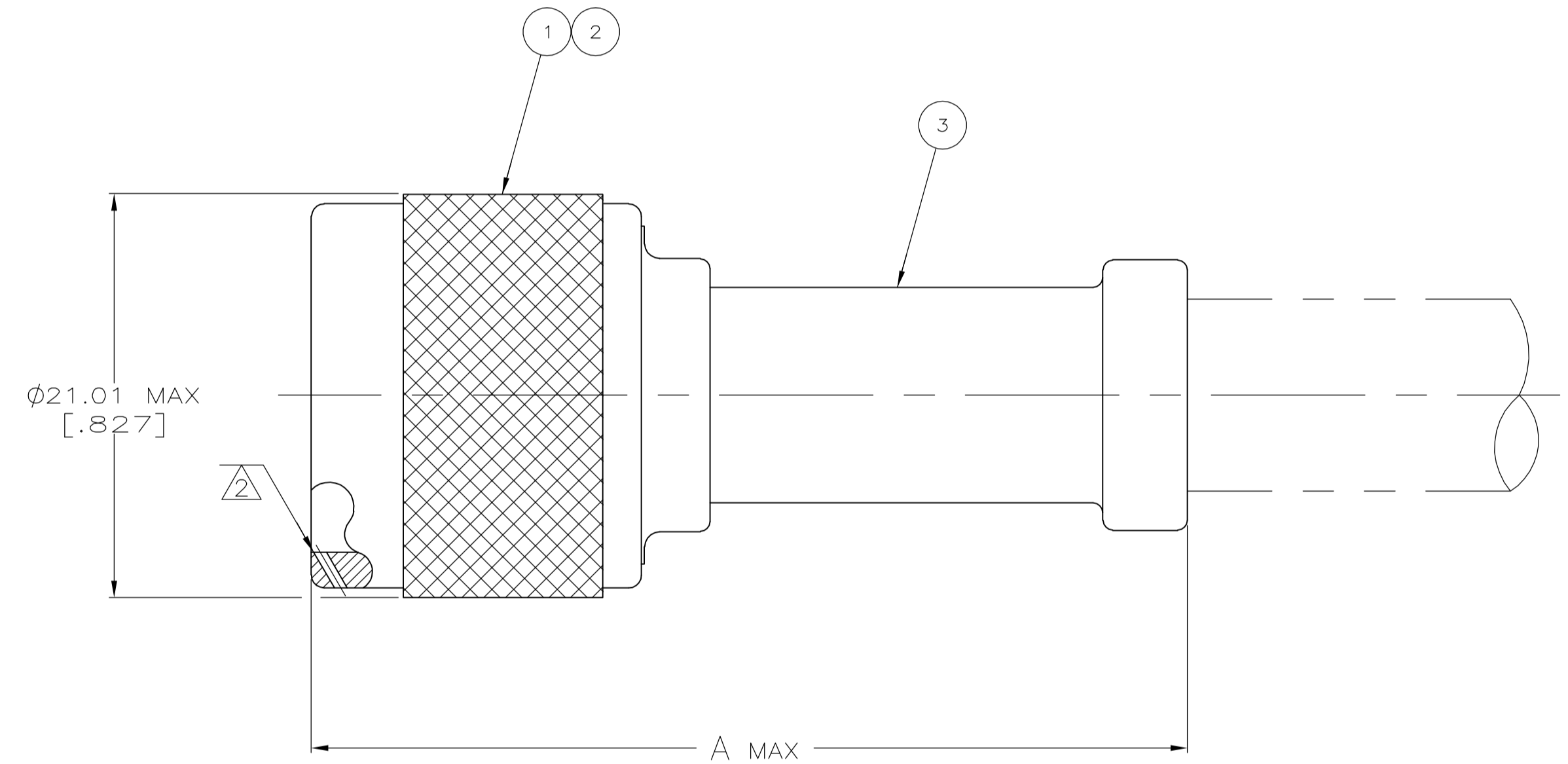
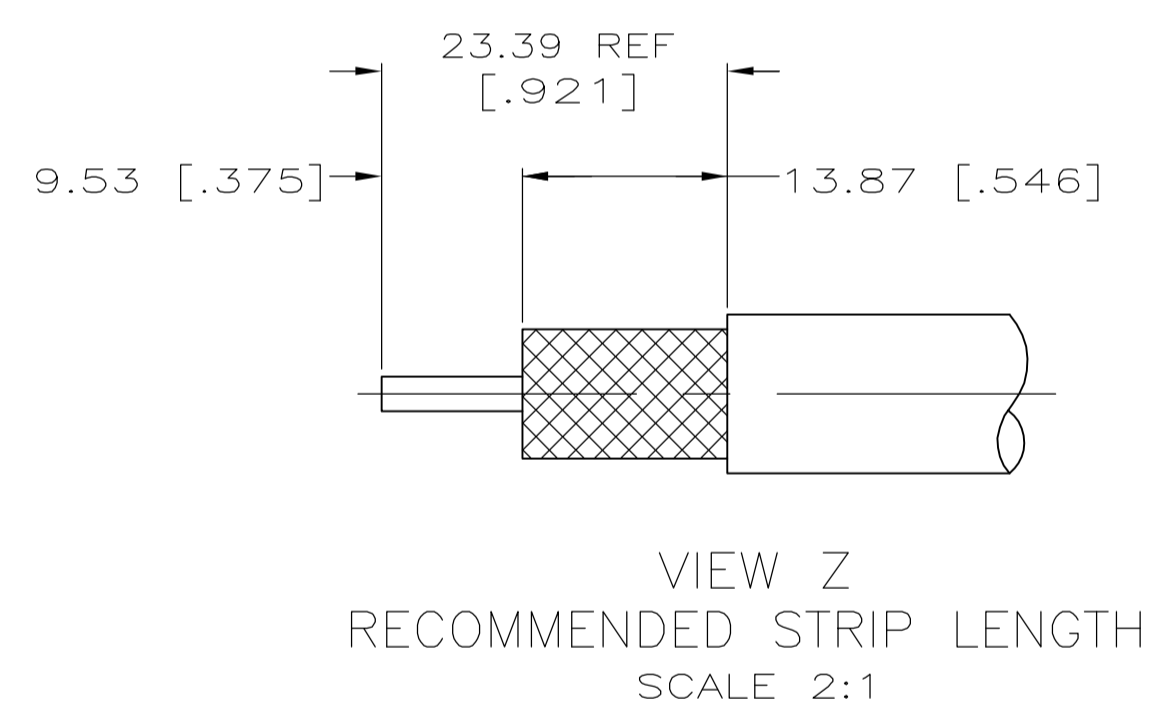
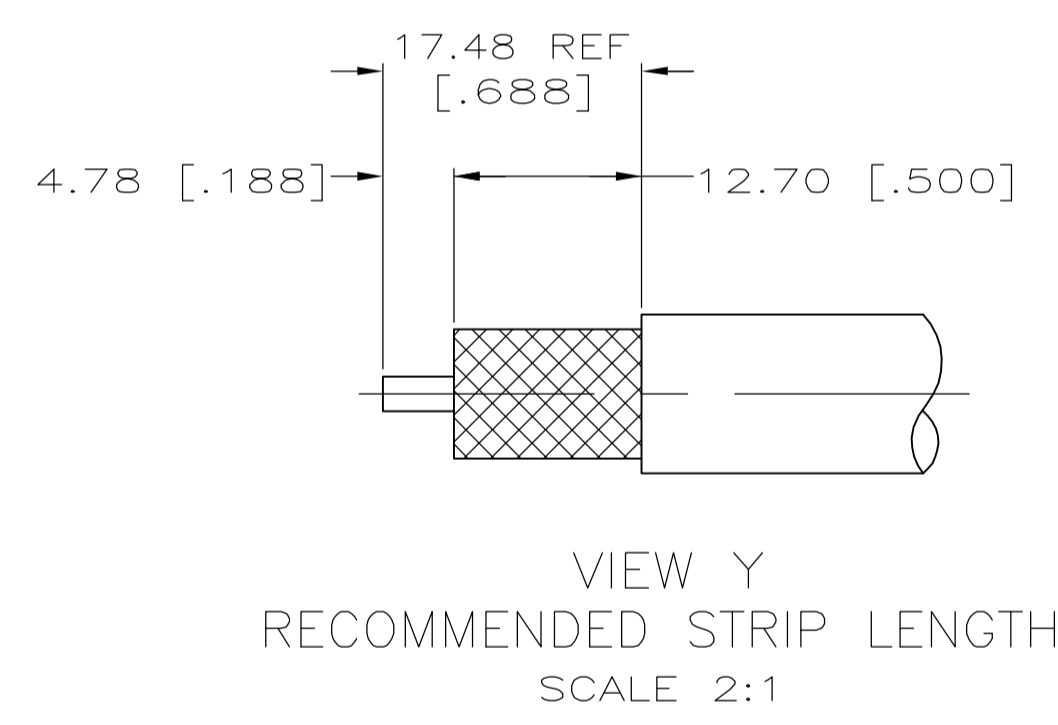
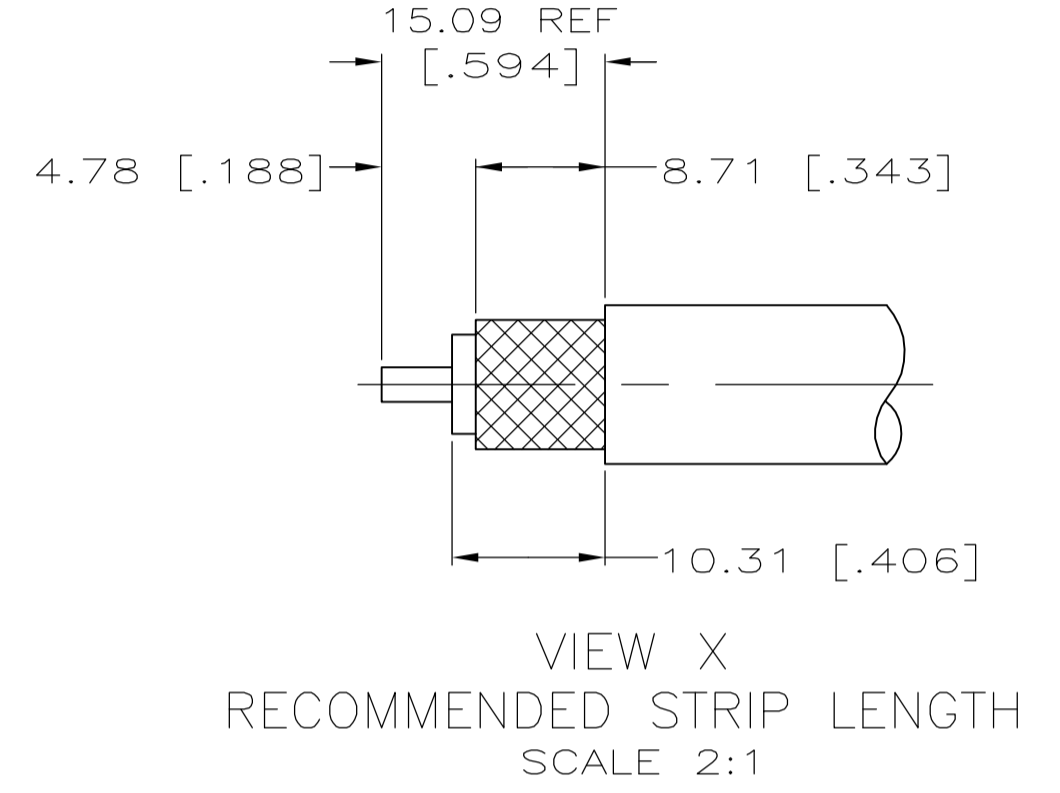
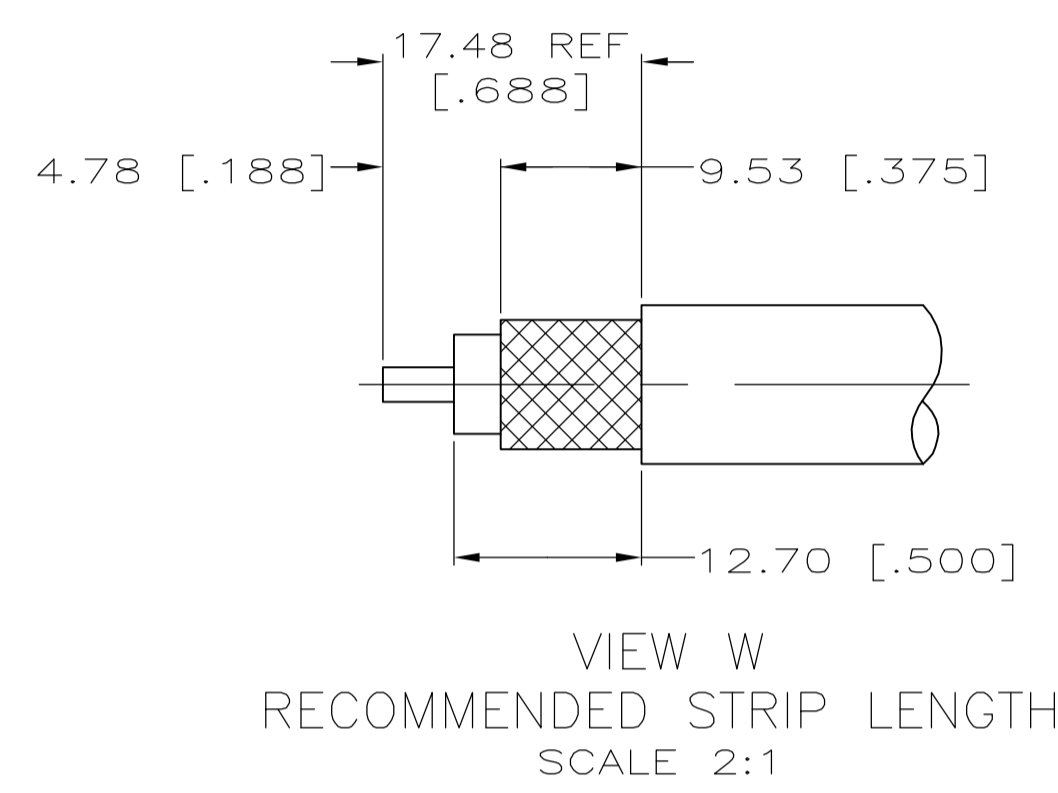


- PARTS PACKAGED UNASSEMBLED
- THREE SAFTEY WIRE HOLES $\phi 0.61$ [.024] MINIMUM, EQUALLY SPACED AROUND CIRCUMFERENCE
- BELDEN 9292 (WITH 95% BRAID COVERAGE)
- SEE I.S. 2028-1



	BRAND REX T-13485	2-225662-2 AMP	220015-1	47.22 [1.859]	W	2-331987-0	2-51695-9	225081-3	2-225662-2
OBSOLETE	ITT,NAB-61S-BAA	2-225662-0 AMP	220015-1	47.22 [1.859]	W	1-331987-5	2-51695-9	225081-3	2-225662-0
	Δ	1-225662-8 AMP	220015-1	47.22 [1.859]	W	1-331987-5	2-51695-6	225081-3	1-225662-8
OBSOLETE	RG-226/U MODIFIED	1-225662-7 AMP	220065-1	61.11 [2.406]	Z	225801-2	225788-2	225776-2	1-225662-7
	RG-141/U & 141A/U	1-225662-4 AMP	220045-2	42.85 [1.687]	X	225560-8	225343-4	225412-6	1-225662-4
SUPERSEDED BY 225392-1	RG-55A/U & 223/U	1-225662-3 AMP	220045-2	42.85 [1.687]	X	225560-7	225343-2	225412-3	1-225662-3
SUPERSEDED BY 225392-7	RG-58A/U & 58C/U	1-225662-2 AMP	220045-2	42.85 [1.687]	X	225560-8	225343-2	225412-6	1-225662-2
	RG-393/U	1-225662-1 AMP	220015-1	47.22 [1.859]	Y	225490-5	2-51695-3	225081-3	1-225662-1
OBSOLETE	RG-11A/U & 144/U	225662-4 AMP	220015-1	47.22 [1.859]	W	1-331987-5	2-51695-2	225081-3	225662-4
OBSOLETE	RG-213/U	225662-2 AMP	220015-1	47.22 [1.859]	W	1-331987-5	2-51695-1	225081-3	225662-2
	RG-9/U,9A/U,9B/U & 214/U	225662-1 AMP	220015-1	47.22 [1.859]	Y	1-331987-4	2-51695-1	225081-3	225662-1
	CABLE SIZE	STAMPING	CRIMP TOOL	A	VIEW Δ	FERRULE QTY=1	Δ CONTACT QTY=1	Δ PLUG ASSY QTY=1	PART NUMBER

THIS DRAWING IS A CONTROLLED DOCUMENT.

DIMENSIONS: INCHES	TOLERANCES UNLESS OTHERWISE SPECIFIED:	DWN: B. SCOTT 05-31-91	DRK: M. SNEED 06-20-91	APVD: -	NAME: -
0 PLC ± -	1 PLC ± -	2 PLC ± 0.41 [016]	3 PLC ± -	4 PLC ± -	ANGLES ± -
MATERIAL: -----	FINISH: -----	WEIGHT: 1.3 OZ MAX	A1 00779	SCALE: 4:1	SHEET 1 OF 1

Customer Drawing